

937系列模块化喷嘴(937、937 S1、937 S7) Module System Range 937, 937 S1 and 937 S7

Mod. S1

两流体喷嘴/全锥形/多喷头型/外混型
Two-Substance Nozzles / Full-Cone / Multi Head / External Mixing

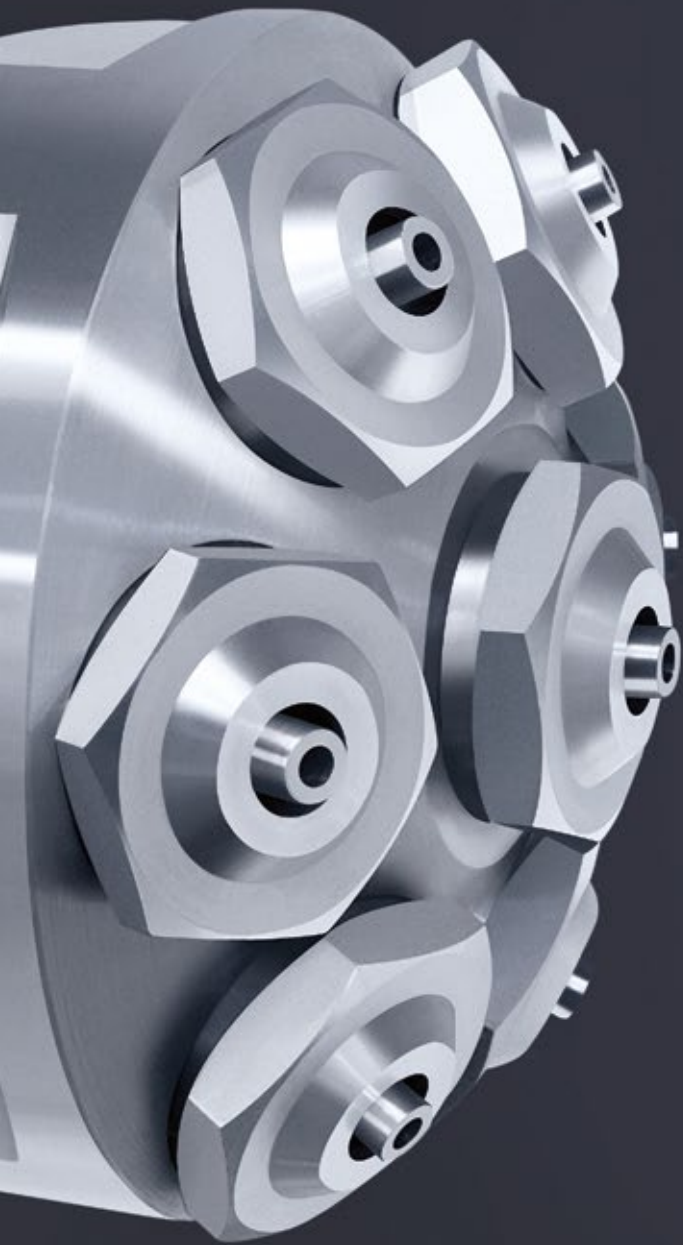
可选材质

- 耐酸不锈钢
- 耐高温不锈钢
- 客户指定材料

Materials

- Acid resistant stainless steel
- Heat resistant stainless steel
- Custom materials available on request

如有技术变更,恕不另行通知。



雾化面积大，压缩空气消耗量小

Extremely homogenous spray behaviour for maximum surface coverage

喷嘴模块化结构有助于应用在各种场合，并确保了雾化效果的一致性

The SCHLICK modular system allows for diverse application options and ensures reproducible results

各喷头雾化角度的可调性，使得雾化面积能够在很大的范围内调整

Nozzle heads with differing spray angles enable a wide range of surface coverage

关键部件的表面粗糙度小于0.8

Functional components with a surface quality of $Ra < 0.8$

SCHLICK经典出品

多喷头喷嘴

产品目录
Product Overview

两液体喷嘴
Two-Substance
Nozzles

防滴漏/专业包浆技术
ABC/PCA Technique

三/四液体喷嘴
Three-/Four-
Substance Nozzles

多喷头技术
Multispray

喷嘴杆
Insertion Pipes

喷嘴头
Nozzle Heads

实心喷嘴
Full-Cone Nozzles

空心喷嘴
Hollow-Cone Nozzles

硬质合金喷嘴
Carbide Nozzles

扁平喷嘴
Flat-Spray Nozzles

喷射喷嘴
Smooth-Jet Nozzles

混合喷嘴
Mixing Nozzles

拉瓦尔喷嘴
Laval Nozzles

清洗喷嘴
Cleaning Nozzles

喷嘴附件
Accessories

测试中心
Test Center

937系列模块化喷嘴(937、937 S1、937 S7) Module System Range 937, 937 S1 and 937 S7

SCHLICK多喷头系列喷嘴： 用于大面积雾化

937系列喷嘴，可采用压缩空气、煤气、蒸汽进行雾化，雾化面积大，是专门为大面积雾化应用场合而设计的。

基于液体的粘度、密度和表面张力，液体可采用真空吸入也可通过压力泵入，某些情况下，此系列喷嘴也可用作喷射喷嘴。外混型两流体喷嘴可以单独控制液体流量和雾化液滴的大小，其中流量的控制，都是通过雾化流体的压力差实现的。

此系列喷嘴全部采用模块化结构。这意味着它可以很容易地改造成其他型号的喷嘴。而且每个零件都可单独更换，不影响雾化效果。

SCHLICK multi-head systems: Wide coverage

With the SCHLICK model range 937, the liquid is applied to a specific large surface using compressed air or gas – from 0.5 bar (g). The multi-head system was specially developed for producing extremely wide spray cones.

Depending on the viscosity, density and surface tension, the liquid can be aspirated over a gradient or fed under pressure. Within certain limits, the nozzles can also act as injectors. External-mix two-substance nozzles allow independent control of the flow rate and fineness of the atomization. The flow rate for all models is controlled through the liquid pressure difference.

The SCHLICK model 937 is manufactured as a modular construction. This means that it can easily be rebuilt into other designs. Replacement parts are available for all individual parts, with reproducible results ensured.

937系列的SCHLICK多头喷嘴有三种不同的规格，可满足不同客户的不同需求。

SCHLICK multi-head nozzle systems in the 937 range are available in three different sizes, thus catering for a great variety of customer applications.

创新的产品设计

- 拆装非常简单
- 极大的雾化面积
- 多种安装方式可选
- 极长的使用寿命
- 免费设计和技术支持
- 减少结块现象

Innovative product design

- Extremely easy to adapt for maximum flexibility
- Maximum surface coverage
- Wide range of installation options thanks to modular construction
- Extended availability guarantee
- Free design
- Reduction in caking



雾化形状: 多个实心锥形



雾化角度: 45°, 60°, 90°
或按要求定制设计



液滴大小: 10 - 150 微米



处理量: 0,05 - 5,0 升/分



常规喷嘴孔径: 0,5 mm - 3,0 mm



Spray pattern: several circular full-cone



Angle nozzle head: 45°, 60°, 90°, customized designs o request



Droplet size: 10 - 150 μm



Capacity: 0.05 - 5.0 l/min



Standard orifices: 0.5 mm - 3.0 mm



不同数量的喷嘴头可以组合成不同规格的喷嘴，常规为3头或6头喷嘴

标准型的3头喷嘴的雾化角度通常为45° 或60°，6头喷嘴为60°和90°。

亦可按客户特殊要求定制

The different sizes can be combined with a variety of nozzle heads. Nozzle heads have 3 or 6 heads as standard.

The 3-head version has 45° and 60° spray angles as standard. The 6-head version has 60° and 90° spray angles.

Special designs can be obtained on request.

937系列模块化喷嘴(937、937 S1、937 S7)

Module System Range 937, 937 S1 and 937 S7

Mod. 937

Form 0

采用盲堵设计的基本款，用于吸入或者重力差供液的雾化场合

Basic model with dummy plug. Designed for the atomisation of liquids that are either siphoned or fed by gravity at a slight gradient.



+



+

盲堵头
Blind plug



Form 6

此系列喷嘴，从喷杆中心直接进料，用于高粘性溶液、糊料等的雾化。

With straight (central) liquid feed, for atomisation of highly viscous solutions, pastes, etc.



+



液体从中心进料

Central liquid feed

Form 7-1

此系列喷嘴，通过单独的控制阀，可以在雾化气体突然关闭的情况下，驱动通针关闭喷芯(停止喷液)，尤其适用于蚀刻、标记、循环喷涂等需要避免滴落的应用场合。

With pneumatic control through a separate attachment for control air (atomisation air does not need to be shut off). The nozzle needle closes the liquid intake automatically and promptly. Especially suitable for cyclic spraying and above all for liquids under pressure where drips are to be avoided.



+



+

100% 无滴液

针阀气动控制

Pneumatically controlled by control air



937、937 S1、937 S7都可以选下面提到的几种结构(下图是以937 S1产品示意的), 同种结构在不同产品上特性是一样的。

The basic shapes shown here can be obtained for each model range (937, 937 S1 and 937 S7). The same features apply to each of the subsidiary designs. Model 937 S1 is shown here.

接头尺寸(937、937 S1和937 S7)
 Connector dimensions 937, 937 S1 and 937 S7

型号 Model	937 Form 0	937 Form 6	937 Form 7-1	937 S1 Form 0	937 S1 Form 6	937 S1 Form 7-1	937 S7 Form 0	937 S7 Form 6	937 S7 Form 7-1
液体接口尺寸 Liquid inlet port G	3/8	3/8	3/8	3/8	3/8	3/8	3/4	3/4	3/4
雾化气接口尺 Air inlet port G	3/8	3/8	3/8	3/8	3/8	3/8	3/4	3/4	3/4
针阀控制气接口尺寸 Control air inlet port G	-	-	1/4	-	-	1/4	-	-	1/4

可根据客户要求定制
 对于客户定制的喷嘴,
 或者固定方式有多种应用场合的,
 请提供设备的准确尺寸

Dimensions available on request.
 For customised designs and due to the wide range of fittings available, please request dimensions for the required configuration.

根据雾化要求确定合适的喷嘴
 请提供雾化要求(如雾化流量、雾化液滴大小等),
 只有依据雾化要求才能确定喷嘴头的数量以及
 孔径等。

Performance specification available on request.
 Please ask for performance specifications for your application due to the numerous combination options for the number of nozzles and bore diameters.

937系列模块化喷嘴(937、937 S1、937 S7)
Module System Range 937, 937 S1 and 937 S7

Mod. 937

两流体喷嘴/全锥形/多喷头型/外混型
Two-Substance Nozzles / Full-Cone / Multi Head / External Mixing

如有技术变更,恕不另行通知。

应用

- 包衣
- 冷却
- 消毒
- 流化床技术
- 造粒
- 加湿
- 混合
- 工艺工程
- 烟草工业

Applications

- Coating
- Cooling
- Disinfection
- Fluid bed technology
- Granulating
- Humidifying
- Mixing
- Process engineering
- Tobacco industry



产品目录
Product Overview

两液体喷嘴
Two-Substance
Nozzles

防飞溅/专业包衣技术
ABC/PCA Technique

三/四液体喷嘴
Three-/Four-
Substance Nozzles

多喷头技术
Multispray

喷射杆
Insertion Pipes

喷嘴头
Nozzle Heads

实心锥喷嘴
Full Cone Nozzles

空心锥喷嘴
Hollow Cone Nozzles

硬质合金喷嘴
Carbide Nozzles

扁平喷嘴
Flat Spray Nozzles

喷射喷嘴
Smooth-Jet Nozzles

混合喷嘴
Mixing Nozzles

拉瓦尔喷嘴
Laval Nozzles

清洗喷嘴
Cleaning Nozzles

喷嘴附件
Accessories

测试中心
Test Center

937系列模块化喷嘴(937、937 S1、937 S7) Module System Range 937, 937 S1 and 937 S7

Mod. 937

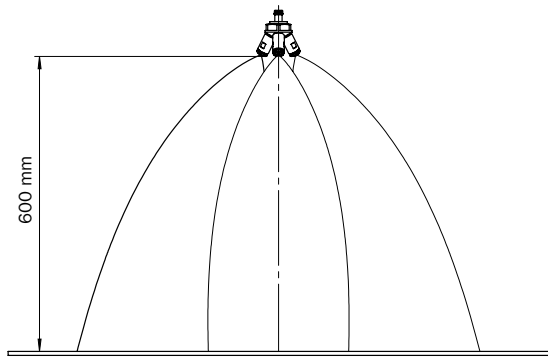
两流体喷嘴/全锥形/多喷头型/外混型

Two-Substance Nozzles / Full-Cone / Multi Head / External Mixing



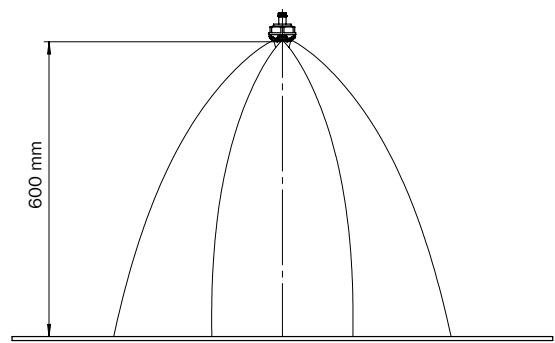
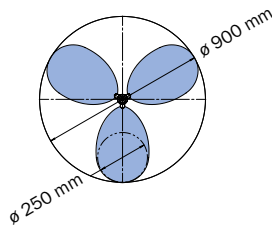
喷芯不加长和喷芯加长的雾化范围差异
(以937/7-1 S1系列, 雾化角度60°)

Spray diameter with and without extensions
(shown on model 937/7-1 S1, 60°)



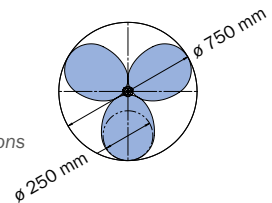
雾化直径:
喷芯加长的3头喷嘴

Spray diameter,
3 nozzles **with** extensions



雾化直径:
喷芯不加长的3头喷嘴

Spray diameter,
3 nozzles **without** extensions



937全系列喷嘴, 可以很容易的将普通喷芯更换为加长喷芯, 加长喷芯一方面有助于优化雾化效果, 另一方面, 也能够很好的避免喷液口结须。

SCHLICK multi-head nozzle systems in model range 937 can be easily fitted with extensions in next to no time. This helps to optimise the spray on the one hand and avoids caking at the air outlet on the other.

如上图所示, 喷嘴有多种组合, 客户提供实际应用要求, 才能确定选用几头喷嘴、喷嘴孔径选择多大的、以及喷芯是否要加长等。

As shown in the example diagrams, there are countless options for optimising customised solutions by the correct combination of nozzle heads – namely the number of nozzles fitted and the spray angle – and by the use of extensions.

相位多普勒测量技术 -
— 雾化效果可测量

SCHLICK 测量系统采用双相位激光多普勒测试原理 (5瓦氩离子激光器), 能精准测量雾化液滴参数和其流体特性

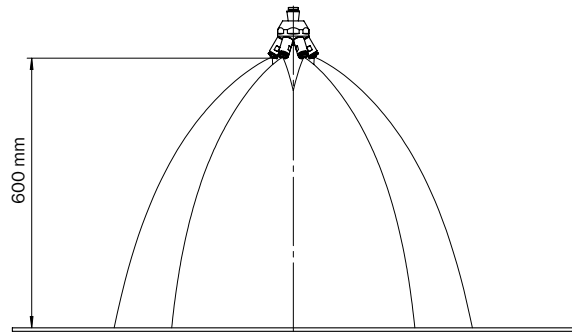
PDA measurement technology -
measurable success

SCHLICK uses a drop measurement device designed according to the dual PDA principle (Phase-Doppler Anemometry), with a 5-watt (argon-ionic) continuous wave laser.



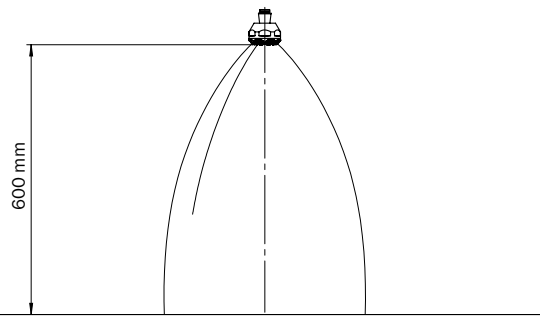
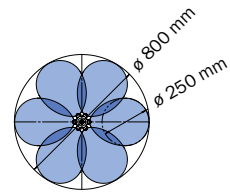
喷芯加长与喷芯不加长的雾化范围
(以937/7-1 S7为例, 雾化角度60°)

Spray diameter with and without extensions
(shown on model 937/7-1 S7, 60°)



雾化直径:
喷芯加长的6头喷嘴

Spray diameter,
6 nozzles with extensions



雾化直径:
喷芯不加长的6头喷嘴

Spray diameter,
6 nozzles without extensions

