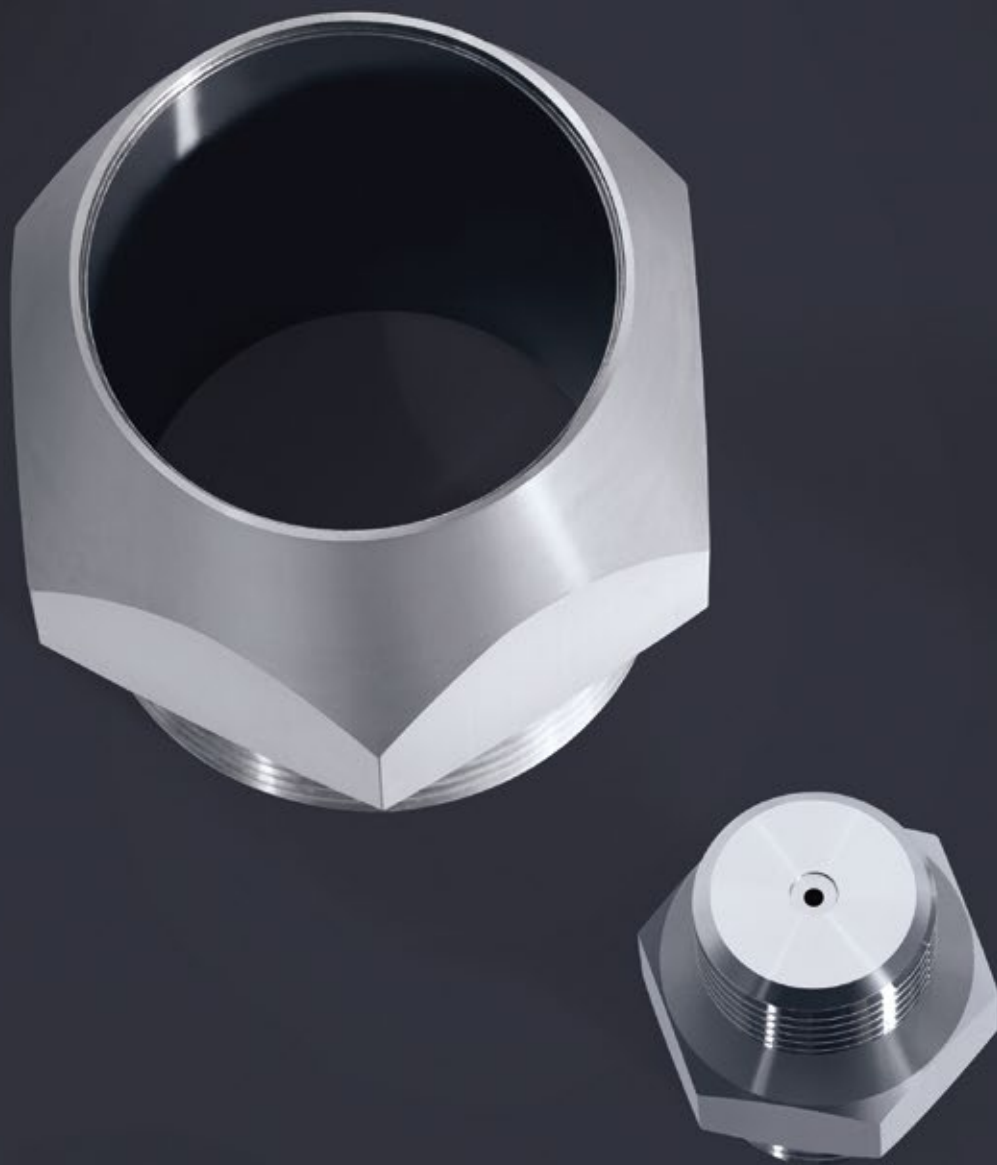


SCHLICK 629系列喷嘴
SCHLICK Series 629

Mod. 629

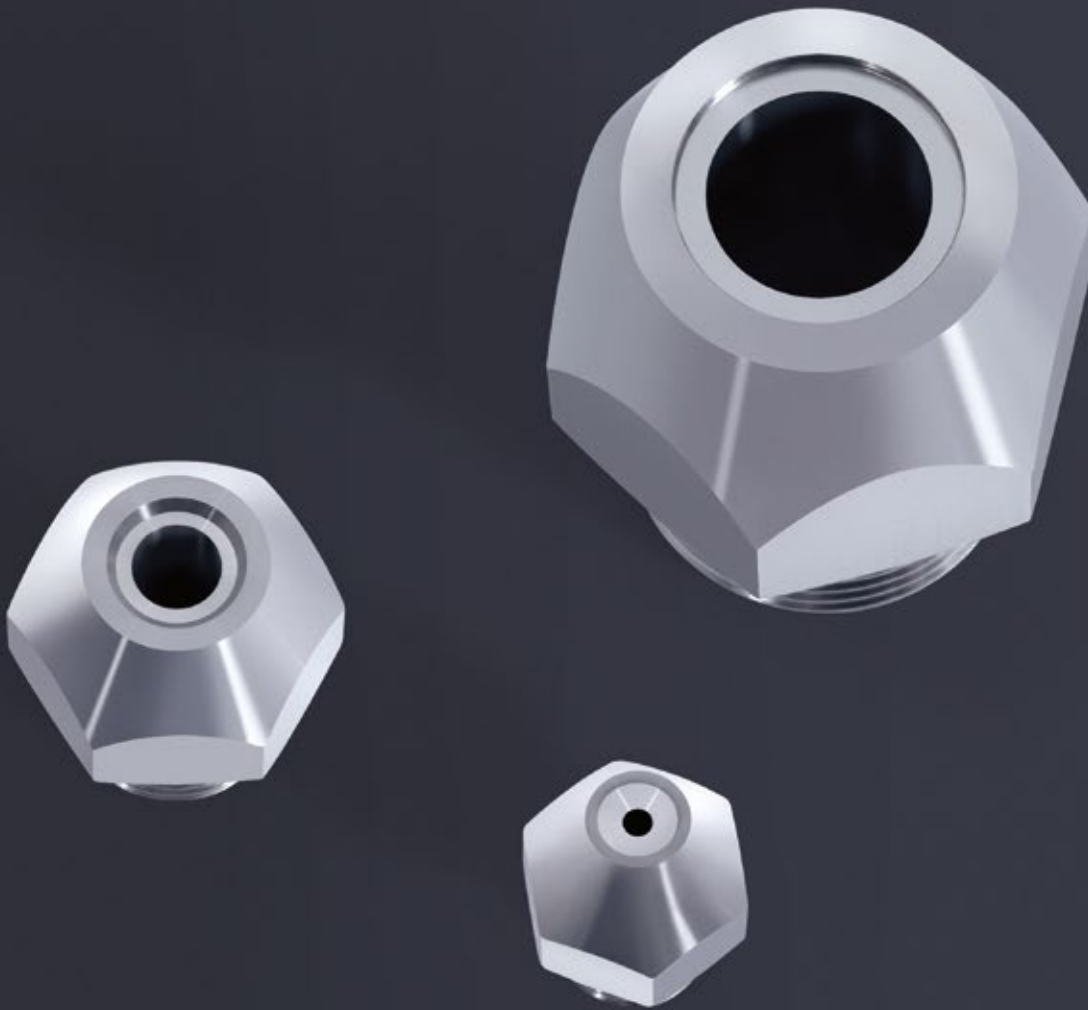


SCHLICK 喷射喷嘴
100%德国制造

如有技术变更,恕不另行通知。

压力式喷嘴 / 喷射喷嘴

Pressure Nozzles / Smooth-Jet



材质

- 耐酸不锈钢
- 耐高温不锈钢
- 硬质橡胶
- 黄铜
- 聚氯乙烯
- 钽合金
- 钛合金
- 铁氟龙
- 其他客户指定材料

Materials

- Acid resistant stainless steel
- Heat resistant stainless steel
- Ebonite
- Brass
- PVC
- Tantalum
- Titanium
- Teflon
- Custom materials available on request

SCHLICK喷射喷嘴：
精准、高效

Very precise and effective:
SCHLICK smooth-jet nozzles

喷嘴头部可根据客户需求改
为螺纹 (629K 系列)

Also available as a custom
model with a head screw
thread (629K)

SCHLICK 629系列喷嘴

SCHLICK Series 629



SCHLICK喷射喷嘴— 精准

SCHLICK喷射喷嘴喷射极其精准、距离远、平滑。

629喷嘴是由带锥度的一体式喷嘴和一个以螺纹安装在喷嘴内部的长圆柱组成。

SCHLICK smooth-jet nozzles – jet precision

SCHLICK smooth-jet nozzles spray liquids with an extremely precise, far-reaching and smooth jet.

The models 629 consists of a single body in one piece with a control cone and a long cylindrical bore hole with a screwed in nozzle exit protector.



标准型喷射喷嘴
629系列
Standard design
SCHLICK model 629

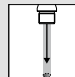





头部螺纹定制喷射喷嘴
629 K系列

SCHLICK model 629 K
with head screw thread



	雾化形状:	喷射喷嘴 (无雾化)
	雾化角度:	0°
	处理量:	0.02 – 1000 l/min (3bar时)
	常规孔径:	0.1 mm – 30 mm

	Spray pattern:	smooth-jet (no atomisation)
	Spray angle:	0°
	Capacity:	0.02 – 1000 l/min at 3 bar
	Standard orifices:	0.1 mm – 30 mm

如有技术变更,恕不另行通知。

创新性设计造就了完美的雾化效果:

- 拆装极其简单
- 专为精细雾化的应用场合设计
- 应用范围非常广泛
- 终身售后服务保障
- 免费产品设计和技术支持

Innovative product design for perfect spraying:

- Extremely easy installation/de-installation
- Designed for critical and extremely critical pressure relationships
- Very wide range of applications
- Long-term after-sales warranty
- Engineering free of charge

100% 无滴漏
drip-free



SCHLICK 629系列喷嘴(如表 7-1), 通过单独的控制阀, 可以在雾化气体突然关闭的情况下, 气动通针顶出, 封闭喷芯(停止喷液), 尤其适用于蚀刻、标记、循环喷涂等需要避免滴液的应用场合。可安装清洁针。

SCHLICK Model 629 (Form 7-1) with pneumatic open/close control using control air. The nozzle needle closes the outlet abruptly when the control air is shut off. Especially suitable for etching, marking, cyclic spraying and above all for liquids under pressure where drips are to be avoided. Can be fitted with cleaning needles.



SCHLICK 629型(如表8)

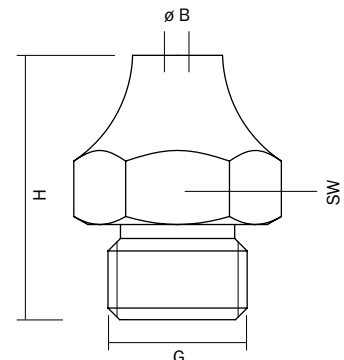
电磁阀控制
标准设计: 230 V, 50 Hz, 100 % ED。
环境温度: 最高55 °C
外壳防护等级IP 65。
循环频率: 仅受转换时间限制。

SCHLICK Model 629 (Form 8)
With solenoid valve
Standard design: 230 V, 50 Hz, 100 % ED.
Ambient temperature: max. 55 °C
Enclosure protection IP 65.
Cycling frequency: limited only by the changeover time.

629系列喷嘴尺寸

Dimensions of model 629

尺寸 Size	1	2	3	4	5	6	7
螺纹规格(英制) Connector ISO 228 G	1/8	1/4	3/8	1/2	3/4	1	1 1/4
总长H (mm) Total height H in mm	22	25	30	35	42	48	55
扳手开口尺寸 (mm) Spanner size SW in mm	14	17	27	27	32	36	46
孔径B (mm) Bore diameter in mm B	0.1 - 2.0	3.0 - 4.0	5.0 - 6.0	7.0 - 9.0	10.0 - 13.0	14.0 - 18.0	19.0 - 25.0

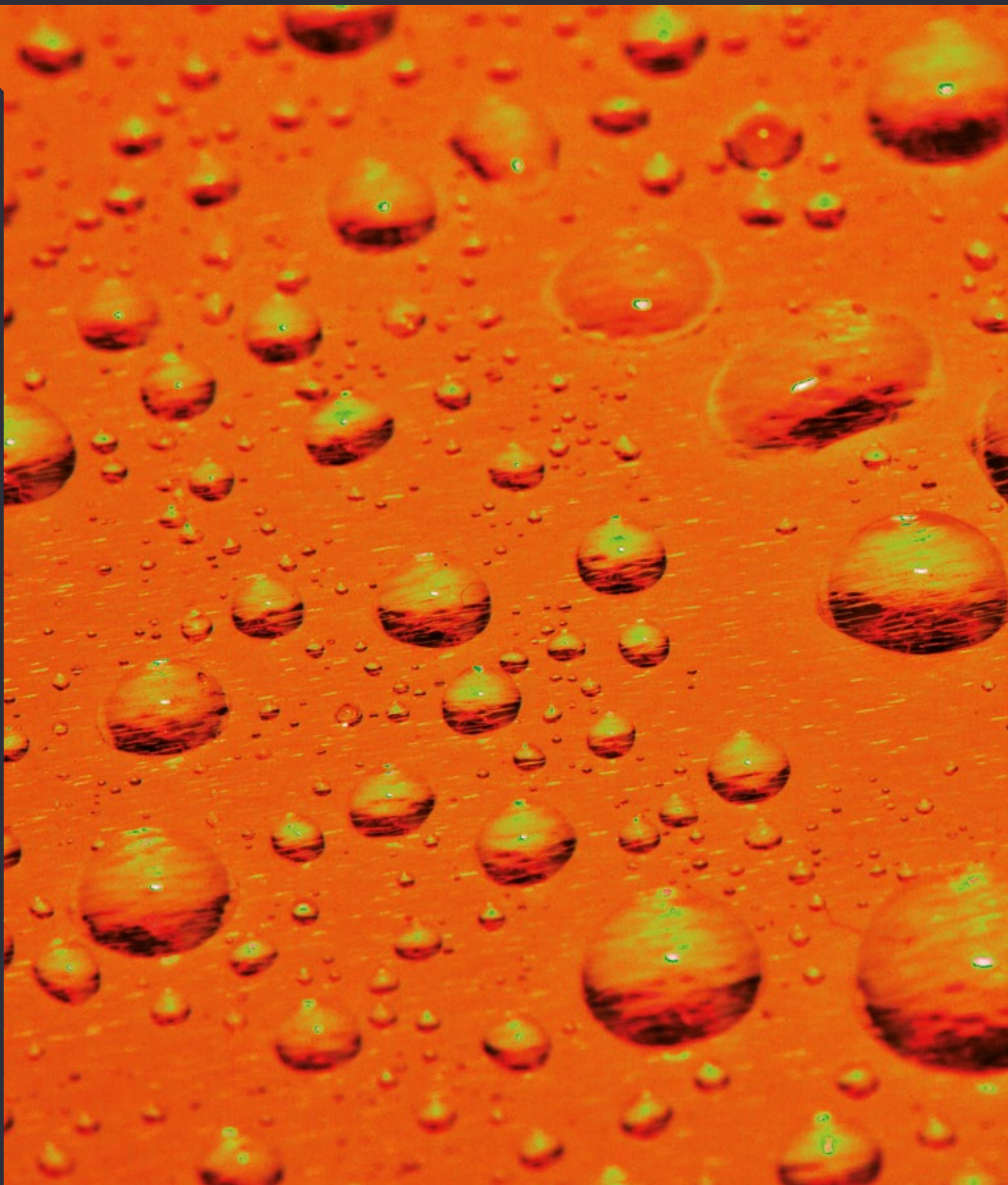


629系列喷嘴 SCHLICK Series 629

Mod. 629

压力式喷嘴 / 喷射喷嘴

Pressure Nozzles / Smooth-Jet



如有技术变更,恕不另行通知。

应用

- 设备清洁
- 管道清洁
- 蚀刻和打标
- 裁纸
- 通风设备

Applications

- Cleaning equipment
- Ducting/pipe cleaning
- Etching and marking
- Paper cutting
- Ventilating equipment

产品目录
Product Overview

两液体喷嘴
Two-Substance
Nozzles

防滴漏/专业包浆技术
ABC/PCA Technique

三/四液体喷嘴
Three-/Four-
Substance Nozzles

多头技术
Multispray

喷嘴杆
Insertion Pipes

喷嘴头
Nozzle Heads

实心锥喷嘴
Full Cone Nozzles

空心锥喷嘴
Hollow Cone Nozzles

硬质合金喷嘴
Carbide Nozzles

扁平喷嘴
Flat Spray Nozzles

喷射喷嘴
Smooth-Jet Nozzles

混合喷嘴
Mixing Nozzles

拉瓦尔喷嘴
Laval Nozzles

清洗喷嘴
Cleaning Nozzles

喷嘴附件
Accessories

测试中心
Test Center

629系列喷嘴具体技术参数

Technical Details SCHLICK Series 629

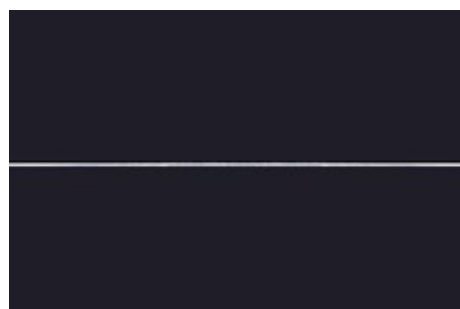


以下数据是以16°C的水测试而来

Performance specification of model 629, water flow rate at 16 °C

型号/ 规格	孔径 (mm)	测试压力 (Δp 3 bar)		测试压力 (Δp 6 bar)		测试压力 (Δp 8 bar)		测试压力 (Δp 10 bar)		测试压力 (Δp 15 bar)		测试压力 (Δp 20 bar)		测试压力 (Δp 30 bar)		测试压力 (Δp 50 bar)	
		Test pressure Δp 3 bar		Test pressure Δp 6 bar		Test pressure Δp 8 bar		Test pressure Δp 10 bar		Test pressure Δp 15 bar		Test pressure Δp 20 bar		Test pressure Δp 30 bar		Test pressure Δp 50 bar	
		l/min	m ³ /h	l/min	m ³ /h	l/min	m ³ /h	l/min	m ³ /h	l/min	m ³ /h	l/min	m ³ /h	l/min	m ³ /h	l/min	m ³ /h
629/1	0.5	0.30	0.02	0.40	0.02	0.46	0.03	0.51	0.03	0.63	0.04	0.72	0.04	0.88	0.50	1.14	0.07
	0.8	0.70	0.04	1.00	0.06	1.15	0.07	1.29	0.08	1.58	0.09	1.83	0.11	2.24	1.13	2.90	0.17
	1.0	1.10	0.07	1.55	0.09	1.80	0.11	2.00	0.12	2.46	0.15	2.84	0.17	2.48	0.21	4.50	0.27
	1.2	1.60	0.10	2.26	0.14	2.60	0.16	2.92	0.17	3.58	0.22	4.12	0.28	5.05	0.30	6.50	0.39
	1.5	2.50	0.15	3.54	0.21	4.10	0.25	4.59	0.27	5.60	0.34	6.45	0.39	7.90	0.47	10.20	0.61
	1.8	3.60	0.22	5.10	0.31	5.85	0.35	6.65	0.40	8.00	0.48	9.30	0.56	11.40	0.68	14.70	0.88
	2.0	4.40	0.26	6.20	0.37	7.20	0.43	8.05	0.48	9.85	0.59	11.40	0.69	14.00	0.84	18.10	1.02
629/2	2.5	6.90	0.41	9.75	0.58	11.30	0.68	12.60	0.76	15.40	0.92	17.80	1.07	21.80	1.31	28.00	1.69
	3.0	10.00	0.60	14.10	0.85	16.30	0.98	18.30	1.10	22.40	1.34	25.80	1.55	31.60	1.90	41.00	2.46
	3.5	13.50	0.81	19.00	1.14	22.00	1.32	24.60	1.48	30.20	1.81	35.20	2.10	42.60	2.56	55.00	3.30
	4.0	17.70	1.07	25.00	1.50	29.00	1.74	32.40	1.94	39.60	2.38	45.60	2.74	56.00	3.36	72.00	4.32
629/3	4.5	22.50	1.35	32.00	1.92	37.00	2.22	41.00	2.46	50.00	3.00	58.00	3.48	71.00	4.26	92.00	5.52
	5.0	27.70	1.66	39.00	2.34	45.00	2.70	51.00	3.06	62.00	3.72	71.00	4.26	88.00	5.28	114.00	6.84
	5.5	33.50	2.01	47.00	2.82	55.00	3.30	61.00	3.66	75.00	4.50	86.00	5.20	106.00	6.36	137.00	8.22
	6.0	40.00	2.40	56.00	3.36	65.00	3.90	73.00	4.38	90.00	5.40	103.00	6.18	123.00	7.38	158.00	9.48
629/4	7.0	54.00	3.24	76.00	4.56	88.00	5.28	98.00	5.88	121.00	7.25	139.00	8.34	170.00	10.20	220.00	13.20
	8.0	71.00	4.26	100.00	6.00	116.00	6.96	129.00	7.74	158.00	9.48	183.00	11.00	224.00	13.40	290.00	17.40
	9.0	90.00	5.40	127.00	7.72	147.00	8.82	165.00	9.90	201.00	12.10	232.00	13.90	285.00	17.10	368.00	22.10
629/5	10.0	111.00	6.66	156.00	9.36	180.00	10.80	200.00	12.00	246.00	14.80	282.00	16.90	348.00	20.90	450.00	27.00
	11.0	134.00	8.04	190.00	11.40	220.00	13.20	245.00	14.70	300.00	18.00	346.00	20.80	425.00	25.50	550.00	33.00
	12.0	159.00	9.54	225.00	13.50	260.00	15.60	290.00	17.40	355.00	21.30	410.00	24.60	500.00	30.00	650.00	39.00
	13.0	187.00	11.20	264.00	15.80	305.00	18.30	340.00	20.40	418.00	25.10	480.00	28.80	590.00	35.40	760.00	45.60

SCHLICK 629型的雾化
Spray model 629



如有技术变更,恕不另行通知。

SCHLICK 雾化技术 – 为雾化解方案而生。

神奇的SCHLICK 雾化技术
Clever SCHLICK technology

从设备设计规划到实际批量生产，SCHLICK都能提供完美解决方案。

SCHLICK know-how – from planning to installation. We would be delighted to assist in the optimisation of your technical and operational results.

以下数据是以20°C的压缩空气测试而来

Performance specification of model 629, compressed air flow rate at 20 °C

型号/ 规格	孔径 (mm)	流量 (N m³/h)							
		Flow rate in Nm³/h							
		1 bar (ü) 1 bar (g)	2 bar (ü) 2 bar (g)	3 bar (ü) 3 bar (g)	4 bar (ü) 4 bar (g)	5 bar (ü) 5 bar (g)	6 bar (ü) 6 bar (g)	7 bar (ü) 7 bar (g)	8 bar (ü) 8 bar (g)
629/1	0.5	0.27	0.40	0.54	0.67	0.81	0.94	1.08	1.20
	0.8	0.69	1.04	1.38	1.72	1.72	2.42	2.76	3.10
	1.0	1.07	1.61	2.15	2.68	20.7	3.75	4.30	4.80
	1.2	1.55	2.33	3.10	3.88	3.88	5.40	6.2	7.00
	1.5	2.40	3.60	4.75	5.95	5.95	8.35	9.51	10.70
	1.8	3.50	5.25	7.00	9.70	8.70	12.20	14.00	15.70
629/2	2.0	4.30	6.45	8.60	10.70	10.70	15.00	17.20	19.40
	2.5	6.70	10.00	13.40	16.80	16.80	23.50	26.80	30.50
	3.0	9.70	14.60	19.40	24.30	24.30	34.00	39.00	43.50
	3.5	13.20	19.80	26.50	33.00	33.00	46.30	52.00	59.00
629/3	4.0	17.20	25.80	34.50	43.00	43.00	60.00	68.50	77.00
	4.5	21.70	32.50	43.50	54.00	54.00	76.00	87.00	97.00
	5.0	26.80	40.00	53.00	67.00	67.00	94.00	108.00	122.00
	5.5	32.50	49.00	65.00	81.00	81.00	114.00	130.00	146.00
629/4	6.0	38.50	58.00	77.00	96.00	96.00	135.00	155.00	174.00
	7.0	52.50	79.00	105.00	131.00	131.00	184.00	210.00	236.00
	8.0	69.00	103.00	138.00	172.00	172.00	242.00	276.00	310.00
	9.0	87.00	130.00	174.00	217.00	217.00	305.00	348.00	390.00

如需更大型号喷嘴的测试数据或者基于饱和蒸汽的测试数据, 请联系我们

Flow rates for larger nozzles and saturated steam available on request.

部分客户定制的629喷嘴 *SCHLICK Customized Designs Model 629*

可按客户要求定制，
小批量生产

作为一家全球领先的喷嘴制造商，
SCHLICK一直为客户提供高质量的标准解决方案。

当然，凭借高精度的制造能力以及丰富的研发经验，
SCHLICK也可根据客户要求设计开发、定制喷嘴。

即使客户需求数量很少、交期短。

*Custom and individual designs,
small series*

*As a leading nozzle manufacturer, high quality standardised
solutions are business-as-usual for SCHLICK.*

*However, thanks to the breadth of its manufacturing capacities
and comprehensive expertise, SCHLICK can also produce
custom and individual designs for specific applications.*

No matter how small the series or short the timeframe.

如有技术变更，恕不另行通知。



Mod. 629 S21

此喷嘴和球头整合到一起, 这样喷嘴口方向可以任意调整。

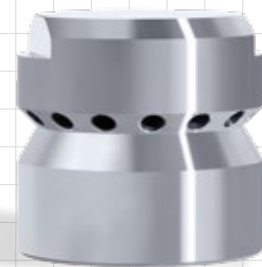
The special design with integrated ball joint allows constant movement of the nozzle exit in all directions.



Mod. 618

喷孔朝向前方, 数量和直径可按客户要求定制。详见“SCHLICK清洁喷嘴”。

With bore holes towards the front. The quantity and diameter of the bore holes are individually specified. See “SCHLICK cleaning nozzles”.



Mod. 619

喷孔朝后方, 数量和直径可按客户要求定制, 重量比619K更轻, 结构更紧凑。详见“SCHLICK清洁喷嘴”。

Bore holes towards the rear. The quantity and diameter of the bore holes are individually specified. More light-weight compact than design 619K. See “SCHLICK cleaning nozzles”.



Mod. 619K

629K喷嘴, 是为一些顽固的应用场合 (如管道清洗) 而进行的优化设计, 喷孔朝后方, 反冲力使得喷嘴有着良好的通过性。参见“SCHLICK清洁喷嘴”。

Optimised design for „robust“ applications. Extremely good deflection capabilities. With bore holes towards the rear. See “SCHLICK cleaning nozzles”.